

Coaxial High Power Circulators

Part Number: KTCC301-400

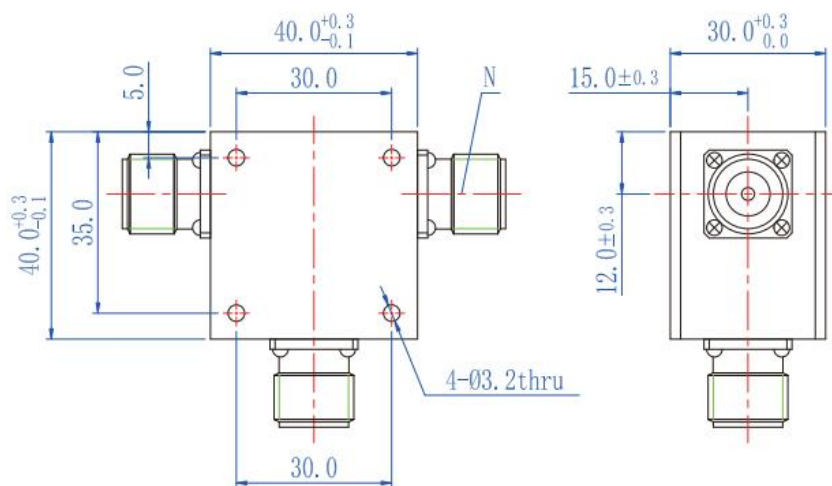
Key Features

- Frequency Range: 3.3GHz - 3.8GHz
- High Power Handling, Duty Ratio 30%
- Low Insertion Loss, High Isolation
- Wide Operating Temperature Range: -30°C~+70°C
- Commercial, Military and Space Applications

Electrical Specifications at Room (25°C±5°C) Temperature

Part Number	Working Frequency (GHz)	Insertion Loss Max (dB)	Isolation Min. (dB)	VSWR Max.	Peak Power (W)	Duty Ratio	Connector Type
KTCC301-400	3.3 - 3.8	0.4	20	1.25	500	30%	SMA/N

Mechanical Dimensions (mm)



HOW TO ORDER

